

2019 NEW PRODUCTS

- CE Constant Constant LED Criver (Triac / 0-10V)
- Multi-Output Current LED Driver (Triac / 0-10V / DALI)
- Slim Shape DALI & Push-Dim (2 in 1)
- DIN Rail 5 in 1 Dimmable LED Drivers
- SMARTS Dimmer (Triac / 0-10V / DALI)



- ★ We are UL, ETL audited Non-dimmable LED Drivers /Dimmable LED Drivers / Dimmer manufacturer.
- ★ We have obtained UL, ETL, CE, SAA,C-TICK,FCC, DOE VI, RoHs certificates.
- ★ We also welcome OEM and ODM orders.



Web1



Web2



WeChat

Triac Dimmable Constant Constant LED Driver

Triac Dimming - Leading edge & Trailing edge CE version



Model 型号	Cover Material 外壳材质	Output Voltage 输出电压 (VDC)	Output Current 输出电流 (Amp)	Output Power 输出功率 (Watt)	Product Size 尺寸 (mm)	N / W 净重 (g)
SMT-50-0150CTH	Plastic(IP20)	38-50V	150mA	8	85*45*26	120
SMT-40-0200CTH	Plastic(IP20)	28-40V	200mA	8	85*45*26	120
SMT-32-0250CTH	Plastic(IP20)	20-32V	250mA	8	85*45*26	120
SMT-28-0300CTH	Plastic(IP20)	16-28V	300mA	8	85*45*26	120
SMT-25-0350CTH	Plastic(IP20)	13-25V	350mA	8	85*45*26	120
SMT-45-0250CTH	Plastic(IP20)	33-45V	250mA	12	85*45*26	120
SMT-40-0300CTH	Plastic(IP20)	28-40V	300mA	12	85*45*26	120
SMT-35-0350CTH	Plastic(IP20)	23-35V	350mA	12	85*45*26	120
SMT-30-0400CTH	Plastic(IP20)	18-30V	400mA	12	85*45*26	120
SMT-28-0450CTH	Plastic(IP20)	16-28V	450mA	12	85*45*26	120
SMT-25-0500CTH	Plastic(IP20)	13-25V	500mA	12	85*45*26	120
SMT-20-0600CTH	Plastic(IP20)	12-20V	600mA	12	85*45*26	120
SMT-45-0500CTH	Plastic(IP20)	33-45V	500mA	24	85*45*26	120
SMT-40-0600CTH	Plastic(IP20)	28-40V	600mA	24	85*45*26	120
SMT-35-0700CTH	Plastic(IP20)	23-35V	700mA	24	85*45*26	120
SMT-25-0900CTH	Plastic(IP20)	13-25V	900mA	24	85*45*26	120
SMT-22-1050CTH	Plastic(IP20)	13-22V	1050mA	24	85*45*26	120
SMT-50-0700CTH	Plastic(IP20)	38-50V	700mA	40	110*45*26	170
SMT-45-0900CTH	Plastic(IP20)	33-45V	900mA	40	110*45*26	170
SMT-40-1050CTH	Plastic(IP20)	28-40V	1050mA	40	110*45*26	170
SMT-28-1400CTH	Plastic(IP20)	16-28V	1400mA	40	110*45*26	170
SMT-22-1750CTH	Plastic(IP20)	13-22V	1750mA	40	110*45*26	170

Features	<ul style="list-style-type: none"> • Input : 200 - 240 VAC • 8 Watt - 40 Watt • 3 years warranty • CE ROHS approval 	<ul style="list-style-type: none"> • IP20 Plastic case with conneting terminals • Compact size, light weight • High efficiency and low operation temperature 	Application	LED lighting box LED hurdle light and LED strip etc LED Neon , LED Module LED Lighting Advertising...
-----------------	---	---	--------------------	--

0-10V Dimmable Constant Constant LED Criver

0-10V/1-10V PWM 4 in 1 Dimming CE version



Model 型号	Cover Material 外壳材质	Output Voltage 输出电压 (VDC)	Output Current 输出电流 (Amp)	Output Power 输出功率 (Watt)	Product Size 尺寸 (mm)	N / W 净重 (g)
SMT-50-0150CDH	Plastic(IP20)	38-50V	150mA	8	85*45*26	120
SMT-40-0200CDH	Plastic(IP20)	28-40V	200mA	8	85*45*26	120
SMT-32-0250CDH	Plastic(IP20)	20-32V	250mA	8	85*45*26	120
SMT-28-0300CDH	Plastic(IP20)	16-28V	300mA	8	85*45*26	120
SMT-25-0350CDH	Plastic(IP20)	13-25V	350mA	8	85*45*26	120
SMT-45-0250CDH	Plastic(IP20)	33-45V	250mA	12	85*45*26	120
SMT-40-0300CDH	Plastic(IP20)	28-40V	300mA	12	85*45*26	120
SMT-35-0350CDH	Plastic(IP20)	23-35V	350mA	12	85*45*26	120
SMT-30-0400CDH	Plastic(IP20)	18-30V	400mA	12	85*45*26	120
SMT-28-0450CDH	Plastic(IP20)	16-28V	450mA	12	85*45*26	120
SMT-25-0500CDH	Plastic(IP20)	13-25V	500mA	12	85*45*26	120
SMT-20-0600CDH	Plastic(IP20)	12-20V	600mA	12	85*45*26	120
SMT-45-0500CDH	Plastic(IP20)	33-45V	500mA	24	85*45*26	120
SMT-40-0600CDH	Plastic(IP20)	28-40V	600mA	24	85*45*26	120
SMT-35-0700CDH	Plastic(IP20)	23-35V	700mA	24	85*45*26	120
SMT-25-0900CDH	Plastic(IP20)	13-25V	900mA	24	85*45*26	120
SMT-22-1050CDH	Plastic(IP20)	13-22V	1050mA	24	85*45*26	120
SMT-50-0700CDH	Plastic(IP20)	38-50V	700mA	40	110*45*26	170
SMT-45-0900CDH	Plastic(IP20)	33-45V	900mA	40	110*45*26	170
SMT-42-0960CDH	Plastic(IP20)	25-42V	900mA	40	110*45*26	170
SMT-40-1050CDH	Plastic(IP20)	28-40V	1050mA	40	110*45*26	170
SMT-28-1400CDH	Plastic(IP20)	16-28V	1400mA	40	110*45*26	170
SMT-22-1750CDH	Plastic(IP20)	13-22V	1750mA	40	110*45*26	170

Features	<ul style="list-style-type: none"> • Input : 200 - 240 VAC • 8 Watt - 40 Watt • 3 years warranty • CE ROHS approval 	<ul style="list-style-type: none"> • IP20 Plastic case with conneting terminals • Compact size, light weight • High efficiency and low operation temperature 	Application	LED lighting box LED hurdle light and LED strip etc LED Neon , LED Module LED Lighting Advertising...
-----------------	---	---	--------------------	--

Triac Dimmable Selectable Output Current LED Driver

Triac Dimming - Leading edge Multi-Output Current · CE version

Features	· Input : 180 - 240 VAC & 100 - 130 VAC
	· 3 years warranty
	· CE ROHS approval
	· IP20 Plastic case with connecting terminals
	· High efficiency and low operation temperature

Model 型号	Cover Material 外壳材质	Power Factor	Output Power 输出功率	Product Size 尺寸	N / W 净重
SMT-015CTM	Plastic(IP20)	>0.6	15W	140*45*27MM	150g
SMT-025CTM	Plastic(IP20)	>0.6	25W	155*54*20MM	220g
SMT-050CTM	Plastic(IP20)	>0.6	50W	178*61*24MM	350g

1 2 3	4 5 6	7 8 9	10 11 12	13 14 15	16 17 18	19 20 21	22 23 24	25 26 27
Output Current	150mA	250mA	350mA	400mA	450mA	500mA	600mA	700mA
Output Voltage	20-50V	5-50V	5-45V	5-38V	5-35V	5-30V	5-25V	5-22V
Max. Power	7.5W	12.5W	15.8W	15.2W	15.8W	15W	15W	15.4W



SMT-015CTM



1 2 3	4 5 6	7 8 9	10 11 12	13 14 15	16 17 18	19 20 21	22 23 24	25 26 27
Output Current	300mA	350mA	500mA	550mA	650mA	700mA	850mA	900mA
Output Voltage	50-50V	5-50V	5-50V	5-45V	5-38V	5-35V	5-30V	5-28V
Max. Power	15W	17.5W	25W	24.8W	24.7W	24.5W	25.5W	25.2W

SMT-025CTM



1 2 3	4 5 6	7 8 9	10 11 12	13 14 15	16 17 18	19 20 21	22 23 24	25 26 27
Output Current	700mA	850mA	900mA	1050mA	1150mA	1250mA	1300mA	1400mA
Output Voltage	10-50V	10-50V	10-50V	10-48V	10-43V	10-40V	10-38V	10-36V
Max. Power	35W	42.5W	45W	50.4W	49.5W	50W	49.4W	50.4W

SMT-050CTM



0-10V Dimmable Selectable Output Current LED Driver

0-10V/1-10V Dimming Multi-Output Current · CE version

Features	· Input : 100 - 265 VAC	· Compact size, light weight
	· 3 years warranty	
	· CE ROHS approval	
	· IP20 Plastic case with connecting terminals	
	· High efficiency and low operation temperature	

Model 型号	Cover Material 外壳材质	Power Factor	Output Power 输出功率	Product Size 尺寸	N / W 净重
SMT-020CDM	Plastic(IP20)	>0.9	20W	140*45*27MM	170g
SMT-050CDM	Plastic(IP20)	>0.9	50W	178*61*24MM	400g

1 2 3	4 5 6	7 8 9	10 11 12	13 14 15	16 17 18	19 20 21	22 23 24	25 26 27
Output Current	250mA	350mA	400mA	450mA	500mA	550mA	600mA	700mA
Output Voltage	3-40V	3-40V	3-40V	3-40V	3-40V	3-35V	3-30V	3-25V
Max. Power	10W	14W	16W	18W	20W	19.3W	18W	17.5W



SMT-020CDM



1 2 3 4 5	6 7 8 9	10 11 12 13	14 15 16 17	18 19 20 21	22 23 24 25	26 27 28 29
Output Current	700mA	900mA	1050mA	1200mA	1400mA	1500mA
Output Voltage	3-50V	3-50V	3-48V	3-42V	3-36V	3-34V
Max. Power	35W	45W	50.4W	50.4W	50.4W	51W

SMT-050CDM



SMARTS POWER

Quanzhou Smarts Electronic & Technology Co.,Ltd

EML : steven@smartselectronic.com.cn | Skype : [steven821228](https://www.skype.com/user/steven821228) | TEL : +86 (595) 2725 6889

Web1:www.smarts-electronics.com | Web2: www.swinpower.com

Add : 7th Floor No. 3 Building No. 928 Nanhuan Road Changtai Str. Wuxing Area licheng Dist. Quanzhou, Fujian, China



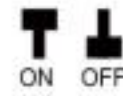
DALI Dimmable Selectable Output Current LED Driver

DALI Dimming Multi-Output Current · CE version

- Features**
- Input : 100 - 265 VAC · 100% full-load burn-in test
 - 3 years warranty
 - CE ROHS approval
 - IP20 Plastic case with terminals(DIP Switch)
 - High efficiency and low operation temperature

Model 型号	Cover Material 外壳材质	Power Fatcor	Output Power 输出功率	Product Size 尺寸	N / W 净重
SMT-020CMM	Plastic(IP20)	>0.9	20W	140*45*27MM	130g
SMT-050CMM	Plastic(IP20)	>0.9	50W	178*61*24MM	350g

	1 2 3	4 5 6	7 8 9	10 11 12	13 14 15	16 17 18	19 20 21	22 23 24
Output Current	250mA	350mA	400mA	450mA	500mA	550mA	600mA	700mA
Output Voltage	3-50V	3-50V	3-50V	3-45V	3-40V	3-35V	3-30V	3-25V
Max. Power	12.5W	17.5W	20W	20.3W	20W	19.3W	18W	17.5W



SMT-020CMM



	1 2 3 4 5	6 7 8 9 10	11 12 13 14 15	16 17 18 19 20	21 22 23 24 25	26 27 28 29 30
Output Current	700mA	900mA	1050mA	1200mA	1400mA	1500mA
Output Voltage	10-50V	10-50V	10-48V	10-42V	10-36V	10-34V
Max. Power	35W	45W	50.4W	50.4W	50.4W	51W

SMT-050CMM



Slim Shape DALI & Push-Dim (2 in 1) Dimming LED Driver

Selectable Output Current CE version

- Features**
- Input : 100 - 265 VAC · 100% full-load burn-in test
 - 5 years warranty
 - CE ROHS approval
 - IP20 with connecting terminals
 - With short-circuit and overload protection

Model 型号	Cover Material 外壳材质	Power Fatcor	Output Power 输出功率	Product Size 尺寸	N / W 净重
SMT-020CMDP	Aluminum(IP20)	>0.92	20W	245*30*21MM	200g
SMT-040CMDP	Aluminum(IP20)	>0.95	40W	285*30*21MM	250g

	1 2 3	4 5 6	7 8 9	10 11 12	13 14 15	16 17 18	19 20 21	22 23 24
Output Current	700mA	600mA	550mA	500mA	450mA	400mA	350mA	250mA
Output Voltage	3-28V	3-32V	3-36V	3-40V	3-45V	3-45V	3-50V	3-50V
Max. Power	20W	20W	20W	20W	20W	20W	17.5W	12.5W



SMT-020CMDP



	1 2 3	4 5 6	7 8 9	10 11 12	13 14 15	16 17 18	19 20 21	22 23 24
Output Current	600mA	700mA	750mA	800mA	850mA	900mA	950mA	1050mA
Output Voltage	10-50V	10-50V	10-50V	10-50V	10-48V	10-45V	10-42V	10-35V
Max. Power	30W	35W	37.5W	40W	40.8W	40.5W	39.9W	17.5W

SMT-040CMDP



DIN Rail 5 in 1 Dimmable Constant Voltage LED driver

Triac / 0-10V / 1-10V / Potentiometer / 10V PWM types dimming mode

Model 型号	Cover Material 外壳材质	Output Voltage 输出电压	Output Current 输出电流	Output Power 输出功率	Product Size 尺寸	N / W 净重
SMT-012-060TDDR	Plastic(IP20)	12VDC	5A	60W	40*90*100MM	350g
SMT-024-060TDDR	Plastic(IP20)	24VDC	2.5A	60W	40*90*100MM	350g
SMT-012-100TDDR	Plastic(IP20)	12VDC	8.33A	100W	55*90*100MM	450g
SMT-024-096TDDR	Plastic(IP20)	24VDC	4A	96W	55*90*100MM	450g



Features

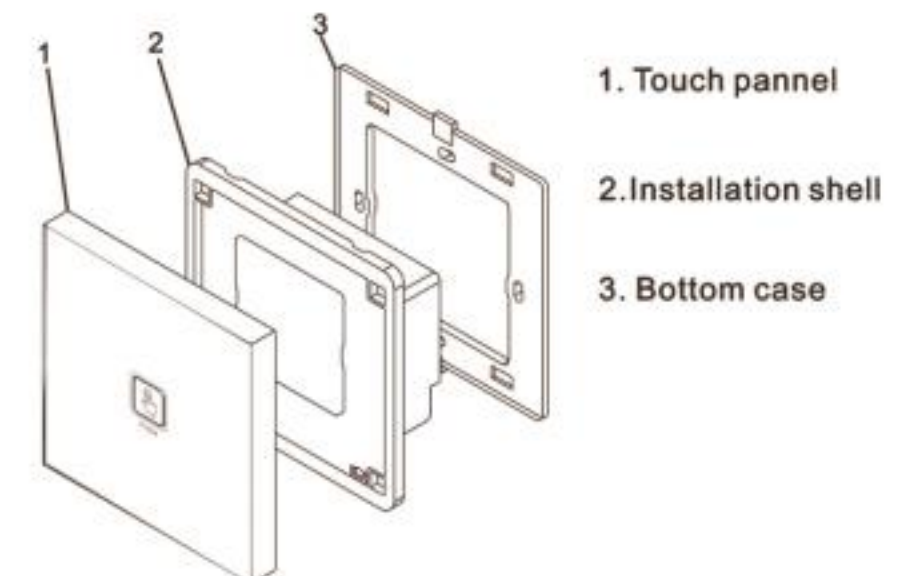
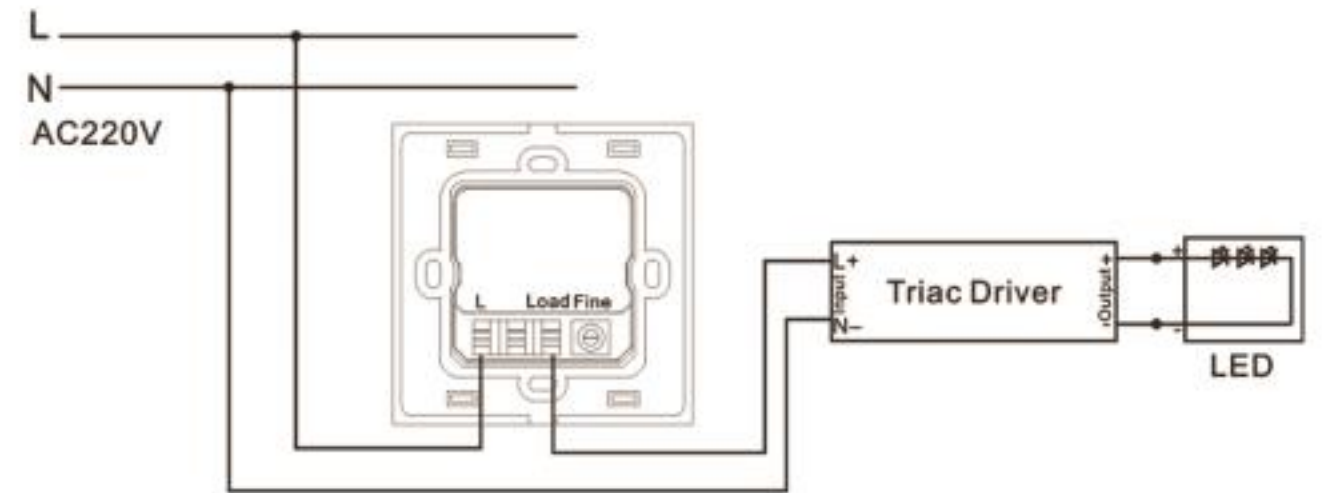
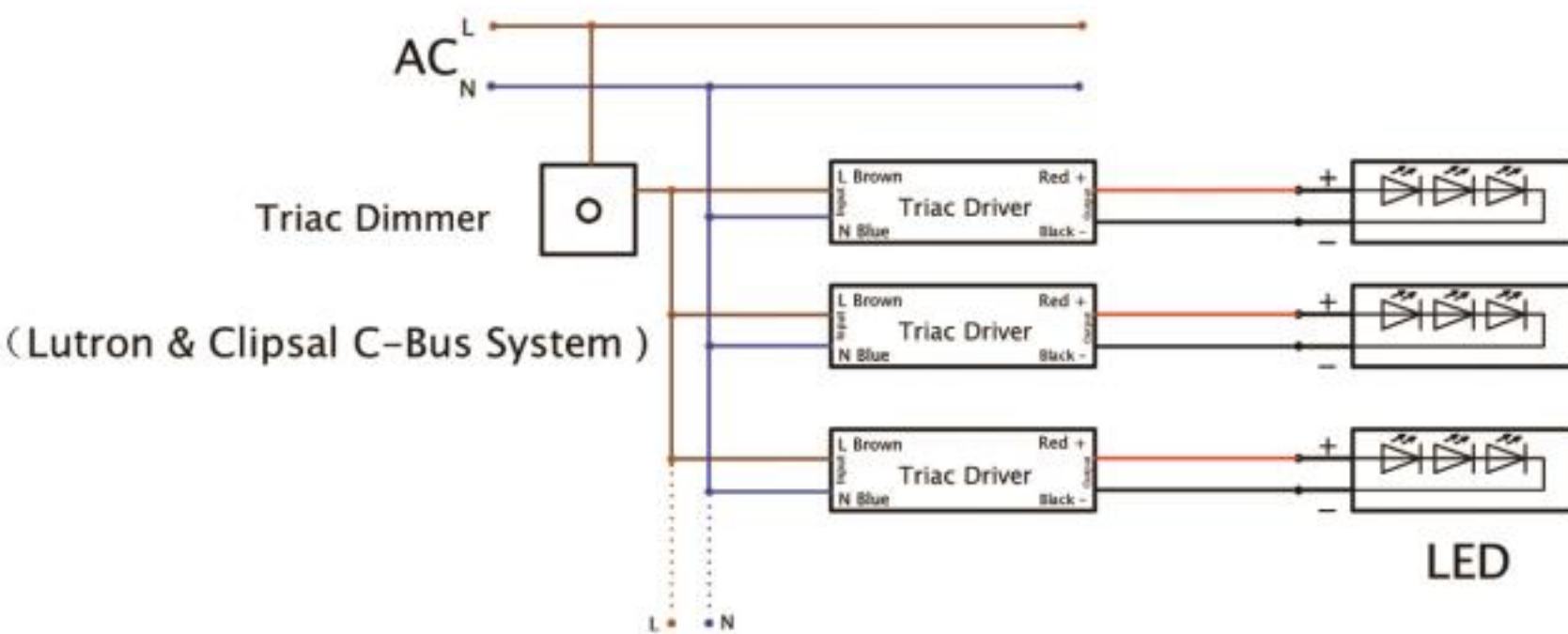
- Input : 110 - 277VAC
- 60 / 96 / 100 Watt
- 5 years warranty
- UL cUL FCC ROHS approval
- High efficiency and low operation temperature
- With short-circuit and overload protection

Application

- LED lighting box
- LED hurdle light and LED strip etc
- LED Neon , LED Module
- LED Lighting Advertising...



Wiring Diagram :

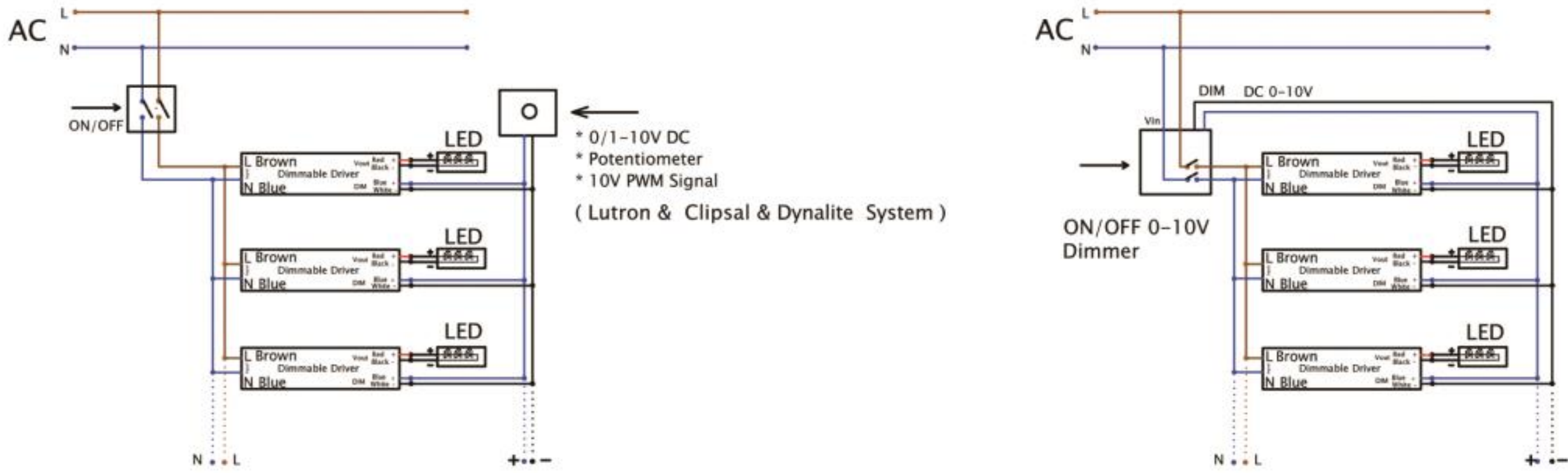


Model 型号	Dimming Mode 调光模式	Input Voltage 输入电压	Max. power 最大功率	Physical Size 尺寸	Certificate 证书	N / W 净重
SMT250-T1	Trailing edge	220-240V	250W	86*86*40mm	CE, RoHS	170g
SMT250-T2	Trailing edge	220-240V	250W	86*86*40mm	CE, RoHS	170g
SMT300-R-T1	Trailing edge	220-240V	300W	86*86*50mm	CE, RoHS	190g
SMT300-R-T2	Trailing edge	220-240V	300W	86*86*50mm	CE, RoHS	190g

LED Controller 0-10V dimmer



Wiring Diagram :

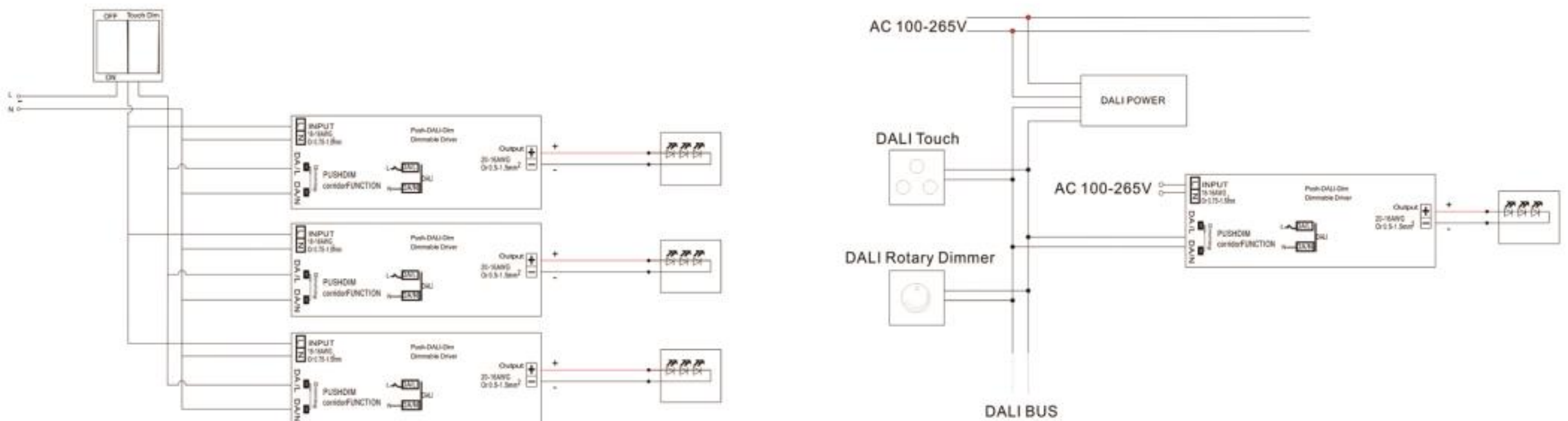


Model 型号	Dimming Mode 调光模式	Input Voltage 输入电压	Output Voltage 输出电压	Output current 输出电流	Physical Size 尺寸	Certificate 证书	N / W 净重
SMT50-D1	0-10V analog signa	100-265V	0-10V	50mA	86*86*40mm	CE, RoHS	170g
SMT50-D2	0-10V analog signa	100-265V	0-10V	50mA	86*86*40mm	CE, RoHS	170g
SMT50-R-D1	0-10V analog signa	100-265V	0-10V	50mA	86*86*50mm	CE, RoHS	190g

LED Controller DALI dimmer



Wiring Diagram :



Model 型号	Dimming Mode 调光模式	Input Voltage Range	Output 输出	Physical Size 尺寸	Certificate 证书	N / W 净重
SMT-M1	Dimming, 1CH	DALI Power	DALI Signal	86*86*40mm	CE, RoHS	170g
SMT-M2	Dimming, 2CH	DALI Power	DALI Signal	86*86*40mm	CE, RoHS	170g
SMT-M3	Dimming, 3CH	DALI Power	DALI Signal	86*86*40mm	CE, RoHS	170g
SMT-M4	Dimming, 4CH	DALI Power	DALI Signal	86*86*40mm	CE, RoHS	170g
SMT-R-M1	Dimming, 1CH	DALI Power	DALI Signal	86*86*50mm	CE, RoHS	190g
SMT-R-AC-M1	Dimming, 1CH	110-265V	DALI Signal	86*86*50mm	CE, RoHS	190g